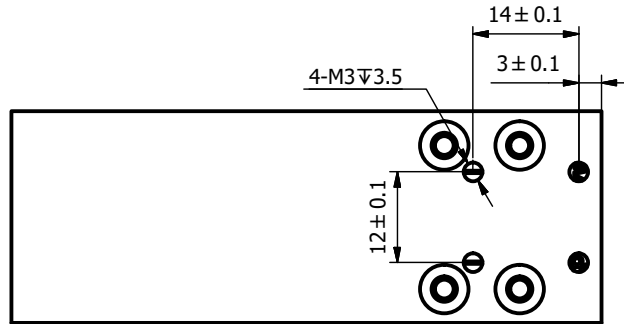
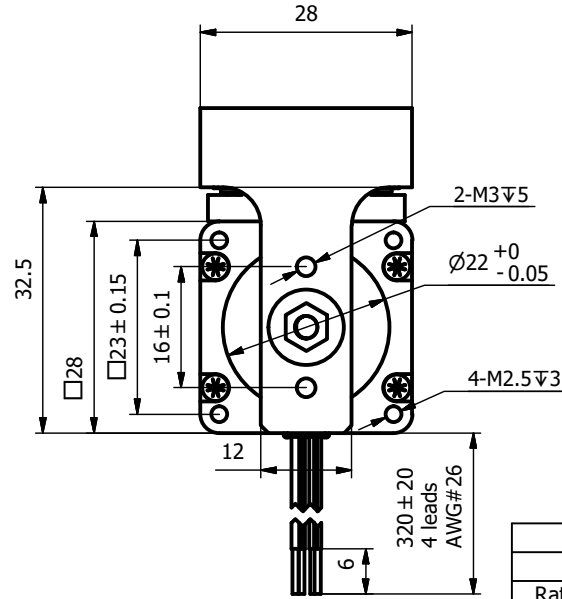
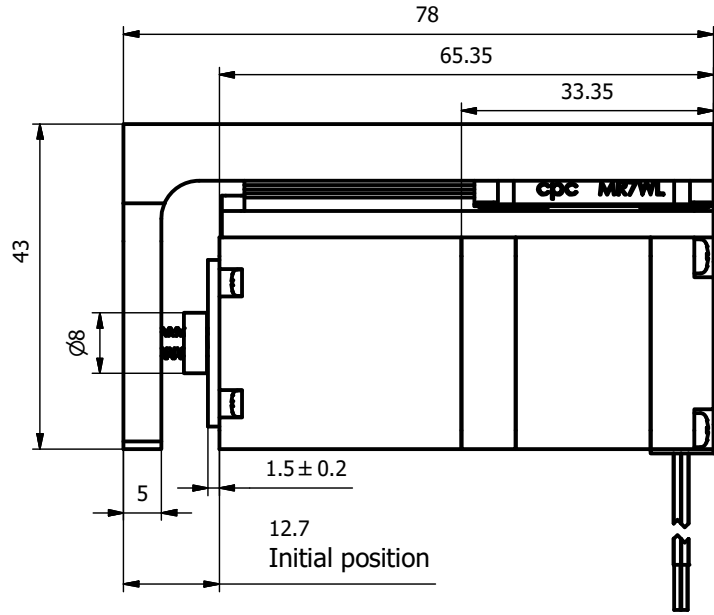




DLG-28S1-R01-S30  
DINGS' MOTION  
Work order  
DATE REV00

REVISION			
REV.	DATE	DESCRIPTION	DRAWN BY

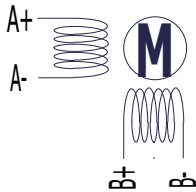


Motor's phase	2
Step angle	1.8°
Rated current/phase	1.0 A
Resistance/phase	2.1Ω±10%
Inductance/phase	1.5mH±20%
Linear travel per step	0.005mm/step
Ball screw diameter	Φ4.0mm
Ball screw lead	1.0mm
Grade	C7(KSS)
Insulation class	B
Insulation resistance	100MΩ(500VDC)
Heat rise	80°C
Operating Temperature	0 40°C (No Condensation)
Motor weight	0.26 kg
Stroke	30mm

**CUSTOMER**

NOTICE TO PERSONS RECEIVING THIS DRAWING  
THIS DRAWING IS ONLY CONDITIONALLY ISSUED, AND FOR THE SOLE PURPOSE OF INFORMING LICENSEES AND ASSOCIATE CONTRACTORS OF DINGS' MOTION, AND VENDORS THERETO AND CUSTOMERS THEREOF, RECEIPT OR POSSESSION THEREOF DOES NOT CONFER TO TRANSFER ANY RIGHT IN THE SUBJECT MATTER OF THE DRAWING, THE DESIGN, CONSTRUCTION, TECHNICAL INFORMATION AND ALL OTHER SUBJECT MATTER SHOWN IN THIS DRAWING ARE AND REMAIN, EXCEPT AS MAY BE OTHERWISE INDICATED BY WRITTEN NOTICE HEREON, THE EXCLUSIVE PROPERTY OF SAID CORPORATION. THIS DRAWING MAY BE REPRODUCED ONLY BY LICENSEES AND ASSOCIATE CONTRACTORS OF SAID CORPORATION AND ONLY FOR LICENSED MANUFACTURE, AND BY VENDORS MANUFACTURING FOR SAID CORPORATION AND ONLY FOR LICENSEES AND ASSOCIATE CONTRACTORS.

**WIRING CHART**



**EXCITING SEQUENCE**

CW	→			
Red A+	+		-	
Red/wht A-	-		+	
Green B+		+		-
Grn/wht B-		-		+
CCW	←			

UNLESS OTHERWISE SPECIFIED ALL DIMENSIONS ARE IN MILLIMETERS AND TOLERANCES ARE AS BELOW PER ISO2768-ck.			
LINEAR		ANGULAR	
0~3	±0.2	0~10	±1.5°
3~6	±0.5	10~50	±1°
6~30	±0.8	50~120	±30'
30~120	±1.5	120~400	±15'

DRAWN	HC	DATE	2022/12/30
APPRVD		DATE	

MODEL DLG-28S1-R01-S30



SIZE	A3	SHEET	1 OF 1
SCALE	1: 1	REV	00

