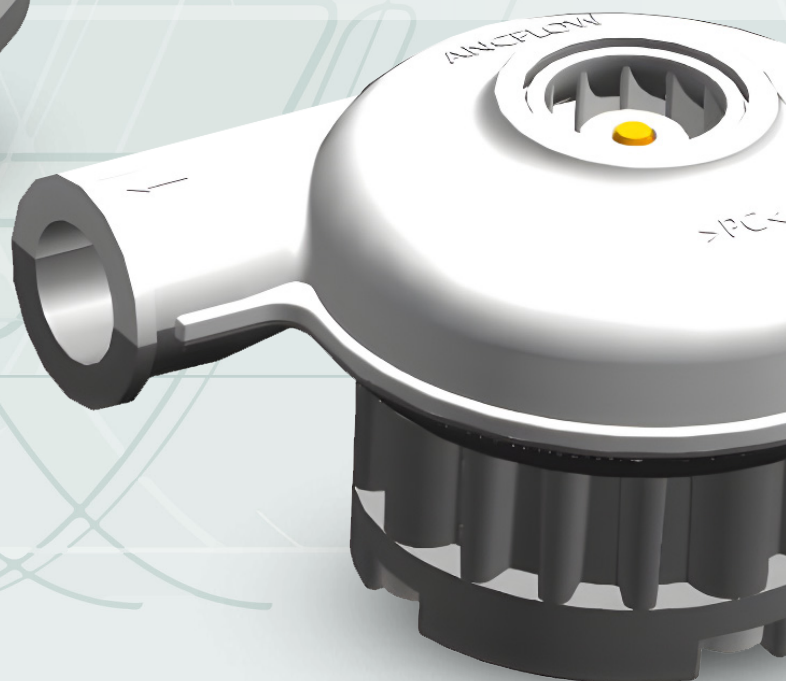
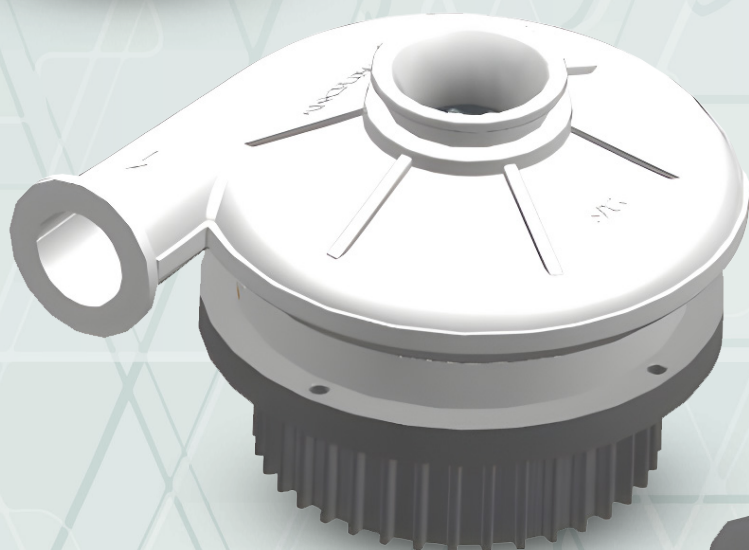


DINGS

Precision Motion Specialist

MICRO RADIAL BLOWER PRODUCT CATALOG





Since it's establishment in 2008,

Jiangsu DINGS' Intelligent Control Technology Co., Ltd adheres to the "Quality comes from Responsibility, Details determine Success or Failure" business concept, commits to become a Precision Motion Specialist and world-class motion control solutions provider.

DINGS' provides precision stepper motor actuators, brushless DC motors and motion controllers.

Size

DINGS' covers 18,500m² and fully in-housing with wire rolling machine, automatic injection molding machine, CNC machine, machining center, automatic straightening machine and cutting machine.



Qualifications

DINGS' is a high-tech company listed on the new third board, NEEQ stock market in June, 2021. And listed on the Beijing Stock Exchange 13th Apr, 2023.

DINGS has awards of "Jiangsu Private Science and Technology Enterprise", "Jiangsu Science and Technology Small and Medium-sized Enterprise" and "Jiangsu Specialized and New Small Giant Enterprise".

In addition, DINGS' products have RoHS, CE, REACH and other certifications as ISO9001 and ISO14001. DINGS' has more than 80 invention patents.



Growth

2008

Established a company and registered DINGS' Brand

2010

Established DINGS' MOTION USA

2016

Established DINGS' Korea

2019

Join in LEILL group

2021

Company moved to Jiangsu Railway Industrial Park
Established Changzhou Intelligent Manufacturing Factory
Listed on the new third board, NEEQ stock market

2022

Application of Jiangsu Engineering Technology Research Center
Application of Changzhou Enterprise Technology Center
Set up R&D Center in Korea

2023

Application for National Specialized New Small Giant
Establishment of DINGS' Europe
Listed on the Beijing Stock Exchange [Stock Code : 873593]

2024

Relocation of Headquarter into new plant

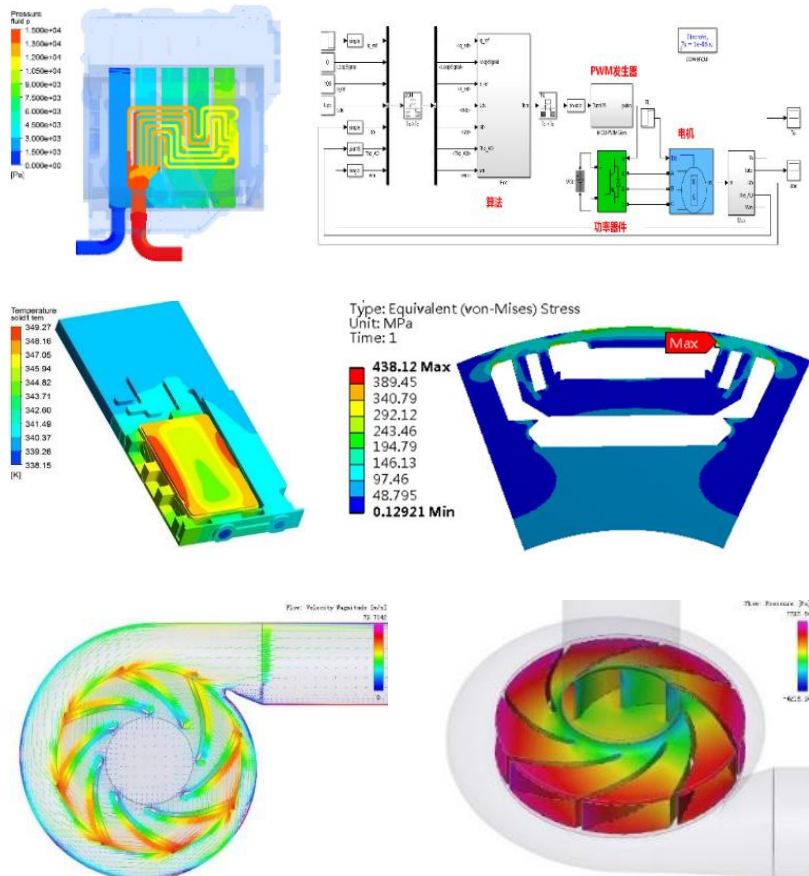


MICRO RADIAL BLOWER

CONTENTS

- Company Overview
- Application Field And Scenarios
- Blowers
 - AB C60 Series Blowers
 - AB S80 Series Blowers
 - AB C80 Series Blowers
 - AB C90 Series Blowers
 - Blower Accessories
- Certificates

Company Overview



Product Development Capabilities

- System Definition and System Integration
- Fluid Design
- Electrical Motor Development
- Motor Driver HW&SW Development
- Mechanical Design
- FEA/CFD/Electromagnetic/Thermal Simulation
- Completed Product Validation Capabilities

Product Portfolios

- Brushless DC Blower
- Brushless DC Motor Driver
- Brushless DC Motor
- Fuel Cell air Compressor

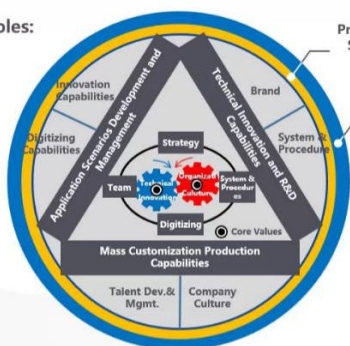
DINGS' Operation Management System

4 Internal Support Poles:

- Strategy
- Team
- System & Procedures
- Digitizing

6 Core Competencies:

- Company Culture
- Talent Development & Management
- System & Procedures
- Innovation Capabilities
- Digitizing Capability
- Brands



Product & Service

1 Core:

- Values

2 Internal Driving Force:

- Technical Innovation
- Organization Culture

3 Core Capabilities:

- Technical Innovation and R&D Capabilities
- Application Scenarios Development & Management
- Mass Customization Production Capabilities

Operation Philosophy

Innovation-Driven	Value-Anchoring
Continuous Improvement	Employee-Oriented

Quality Policy

System-Based	Customer-Focus
Continuous Improvement	Global Top 3 Strategy

Values:

Sharing, Innovation, Dedication, Excellence + 3 Anchoring

Mission:

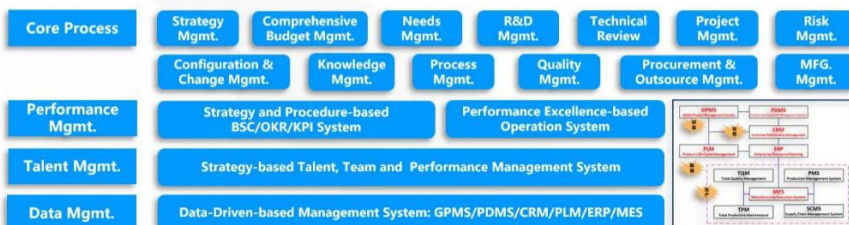
Promote fluid technology and industry progress.

Vision:

Become a recognized global leader in fluid technology field.

Core Competencies:

- Company Culture
- Talent Development & Management
- System & Procedures
- Innovation Capabilities
- Digitizing Capabilities
- Brands



Why Choose Us



We are the fluid product expert

- Average 10+ years R&D experience, core members hold PHD and Master's degrees
- Rich Experience in system Development and System Integration
- Expertise in blower, fan, brushless DC motor and motor driver development
- Automotive manufacturing expertise team
- High static pressure and air flow-rate in a compact size, combining silence technology and fast dynamic response design



Customizable

- DINGS' engineering team develops the desired application with and for the customer according to individual requirements



Long Service Life

- The expected lifetime of our fans and blowers is more than 20,000 to 50,000 hours, which means high reliability for the operator



Reliable Quality

- Strictly following ISO 9001 and company quality policy, we always offer high-quality and excellent consistency products to our customers.



Competitive Price

- Conducting fit-for-use design, lean manufacturing and craftsmanship policy, we can offer our customers



Quick Technical Support

- We have a fast-response technical expertise team; our customers can easily get professional technical support from us

Application Field And Scenarios

Main Application Filed

Medical & Big Health



Hydrogen Fuel Cell System



Industrial Automation Test & Monitoring Equipment



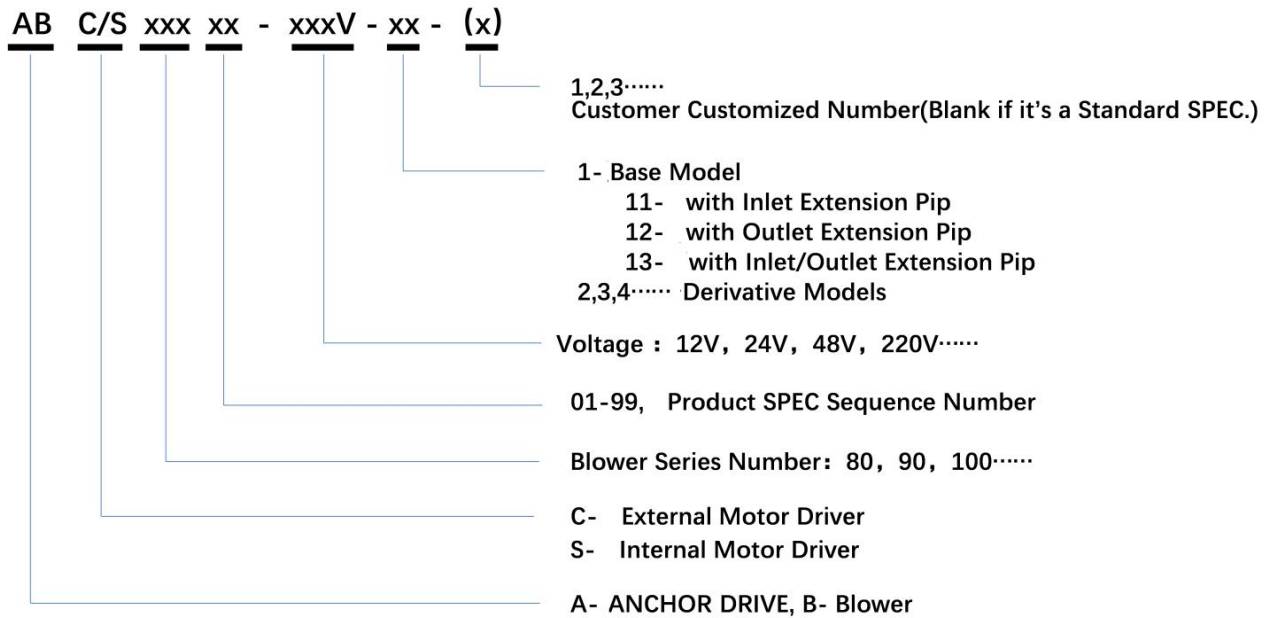
Special Applications



Typical Application Scenarios Filed

Medical	Equipment and Instrument	Others
<ul style="list-style-type: none"> ■ Ventilator ■ Expectoration machine ■ Surgical smoke removal equipment ■ Nebulizer ■ Oxygen generator ■ Isolation chamber ■ PARR ■ Dental equipment ■ Disinfection and sterilization equipment ■ Gas Test 	<ul style="list-style-type: none"> ■ Dust/Smoking removal ■ Disinfection and sterilization equipment for Cold Chain ■ Cooling ■ Glove box ■ Temperature and humidity test chamber ■ Part grabbing ■ Gas transportation ■ Liquid nebulizer ■ Environmental monitoring ■ Gas test 	<ul style="list-style-type: none"> ■ Hydrogen fuel cell system ■ Fresh air system ■ Vacuum cleaner ■ Floor sweeping robot ■ Air cushion aerator ■ Moxibustion smoking removal ■ Agricultural Application ■ Aerator ■ Stove
.	.	.
.	.	.
.	.	.

The Model Definition of DINGS' Brushless DC Blower



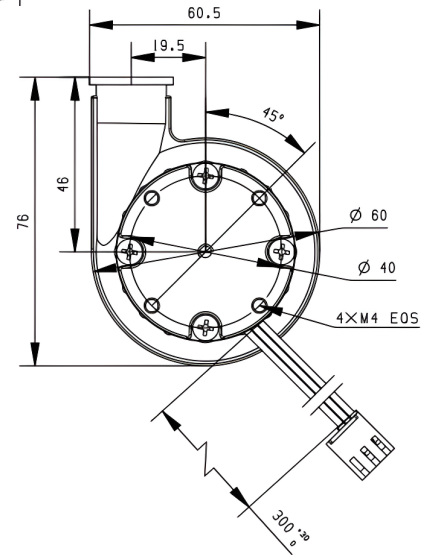
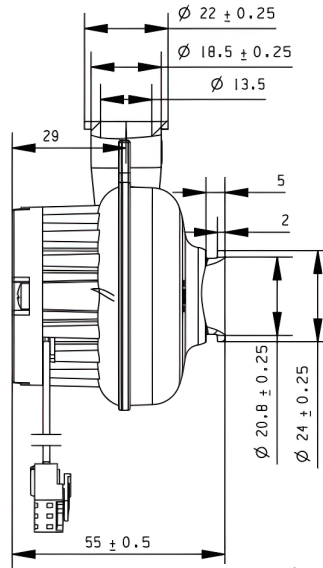
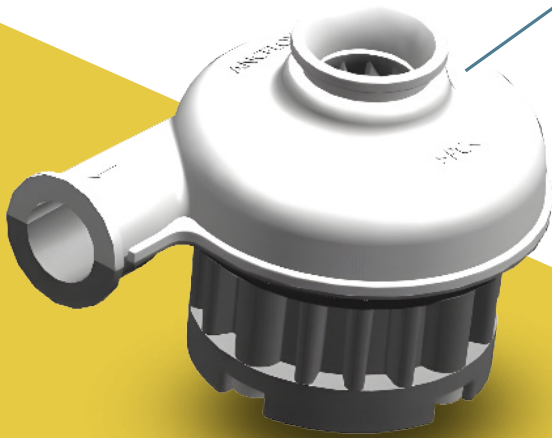
Example

AB C8007-24V-1	AB C8007-24V-2	Base model
AB C8007-24V-11 AB	C8007-24V-21	w/ Inlet Extension Pipes
AB C8007-24V-12 AB	C8007-24V-22	w/ Outlet Extension Pipes
AB C8007-24V-13 AB	C8007-24V-23	w/ Inlet & Outlet Extension Pipes

Table 1- The Comparison Matrix of AB C80xx-1 and AB C80xx-2 Filed

	Function/Performance Comparison	AB C80xx-1	AB C80xx-2
1	Functions		Same
2	Performance		Same
3	Lifetime		Same
4	Voltage Range		Same
5	max.Current		Same
6	Size		Same
7	mass	300g	340g
8	Work Temperature	-20°C~50°C	-40°C~50°C
9	Humidity	≤85%RH	≤95%RH
10	Acid-resisting	No	Yes
11	Corrosion Preventive	No	Yes

C60-1 Micro Radial Blower

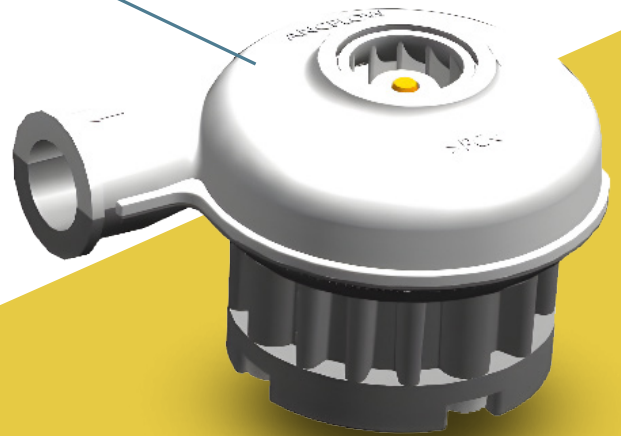
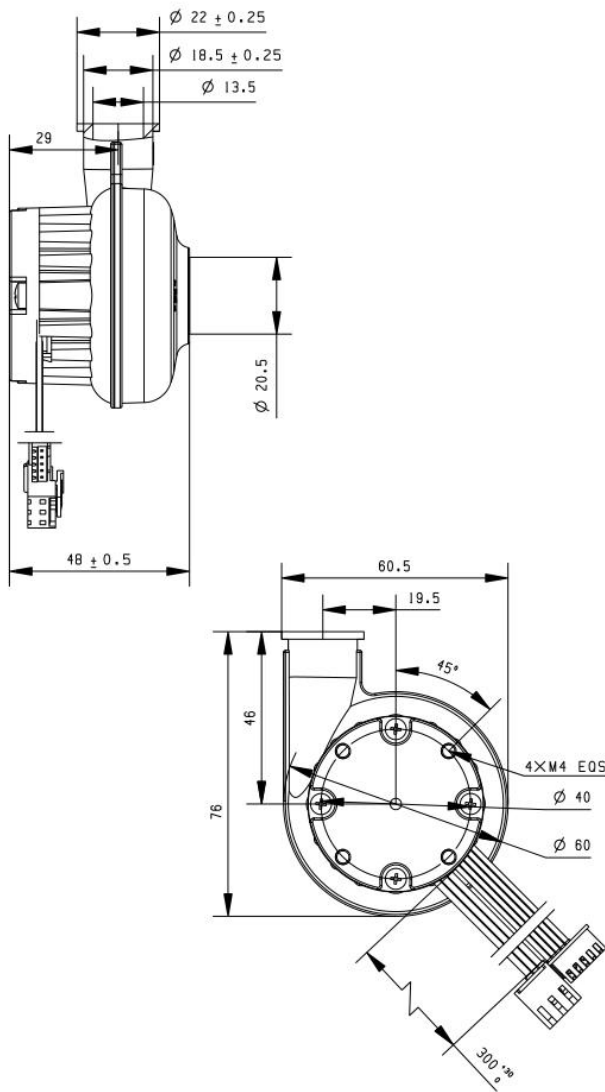


Product Feature

- Excellence performance with high static pressure and flow rate
- Low noise and vibration
- High reliability, with a long life of over 20,000 hours
- Compact design and motor driver integrated
- Work environmental : -20°C~50°C, ≤85%RH

No.	Product Model	Volt.	max.Static Pressure	max. Flow Rate		Work Point			Power		w/Hall?	
						Static Pressure		Flow Rate		Max.		Rated
						V	kPa	LPM	m ³ /h	kPa		LPM
1	C6001-xxV-1-1	24	7.0	450	27.0	5.4	190	11.4	65	50	N	
2	C6002-xxV-1	24 48	7.0	450	27.0	5.4	190	11.4	65	50	Y	

C60-3 Micro Radial Blower

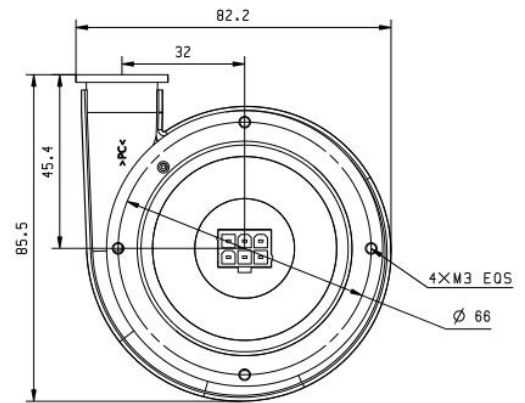
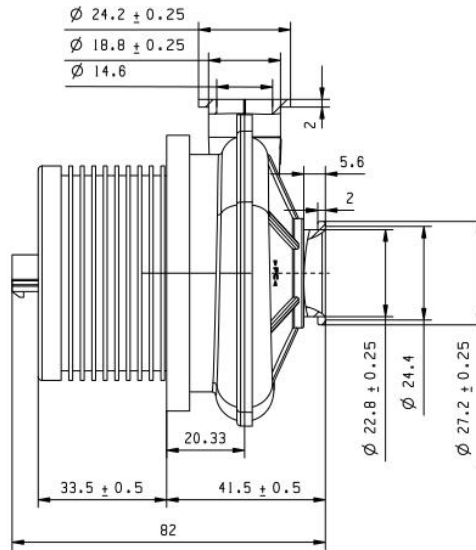
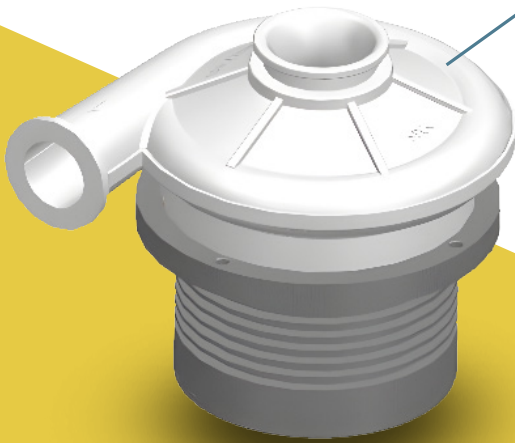


Product Feature

- Excellence performance with high static pressure and flow rate
- Low noise and vibration
- High reliability, with a long life of over 20,000 hours
- Compact design and motor driver integrated
- Work environmental : -20°C~50°C, ≤85%RH

No.	Product Model	Volt.	max.Static Pressure	max. Flow Rate		Work Point			Power		w/Hall?	
						Static Pressure		Flow Rate		Max.		Rated
						kPa	LPM	m ³ /h	kPa	LPM		m ³ /h
1	C6001-xxV-3	24	7.0	450	27.0	5.4	190	11.4	65	50	N	
2	C6002-xxV-3	24 48	7.0	450	27.0	5.4	190	11.4	65	50	Y	

S80 Micro Radial Blower

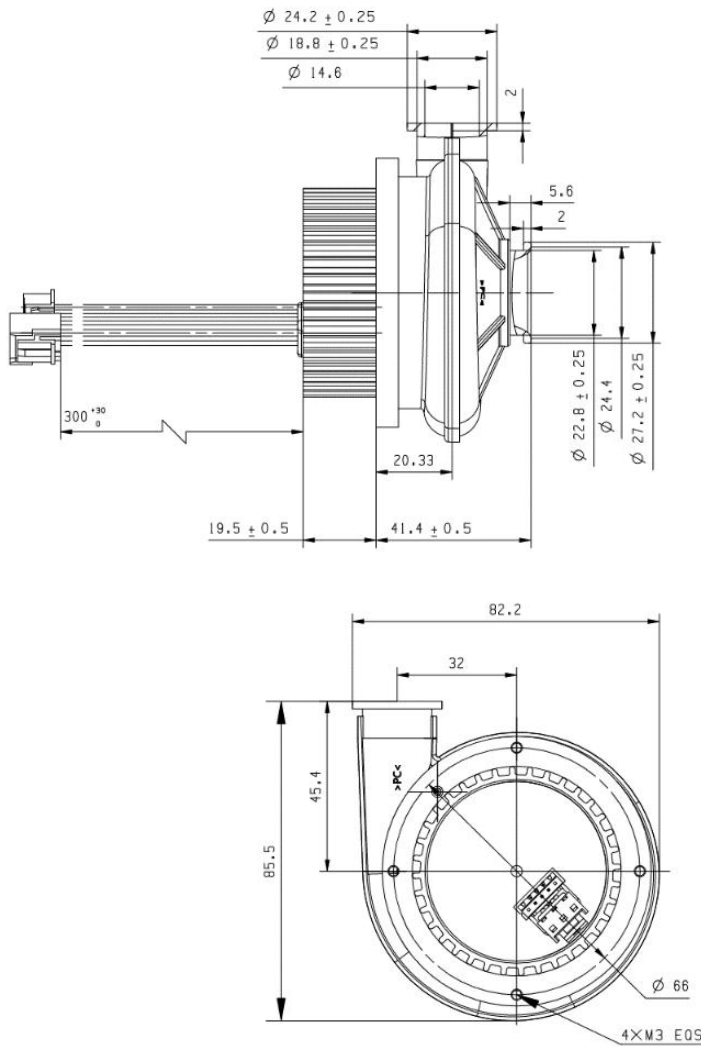
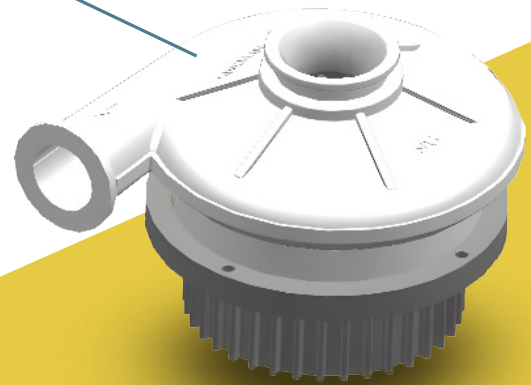


Product Feature

- Excellence performance with high static pressure and flow rate
- Low noise and vibration
- High reliability, with a long life of over 20,000 hours
- Compact design and motor driver integrated
- Work environmental : -20°C~50°C, ≤85%RH

No.	Product Model	Volt. V	max.Static Pressure kPa	max. Flow Rate		Work Point			Power		w/Hall? Y/N	
						Static Pressure		Flow Rate		Max.		Rated
						kPa	LPM	m ³ /h	LPM	m ³ /h		W
1	S8001-24V-1	24	17.0	960	57.5	13.0	460	25.8	240	187	N	

C80-1 Micro Radial Blower

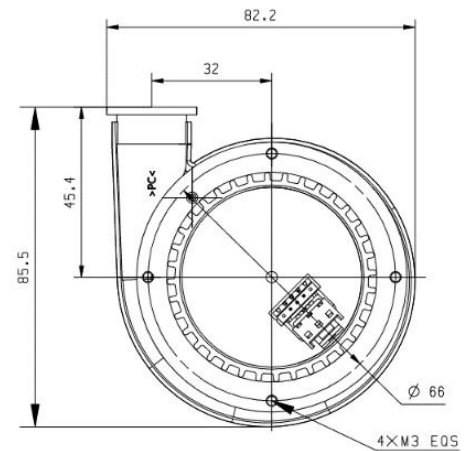
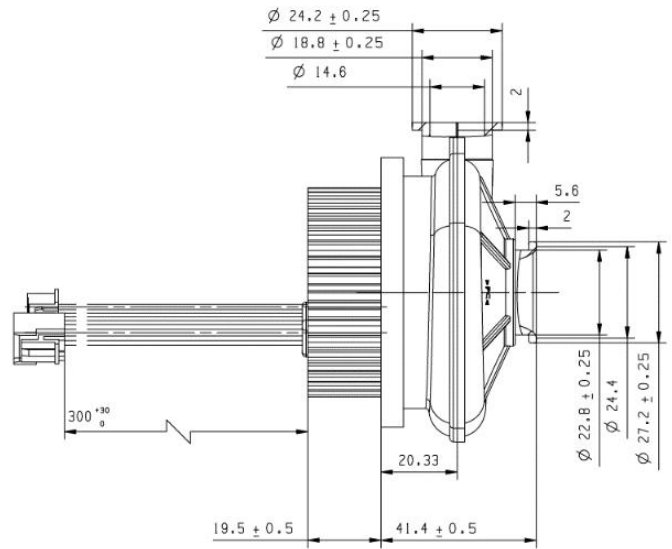
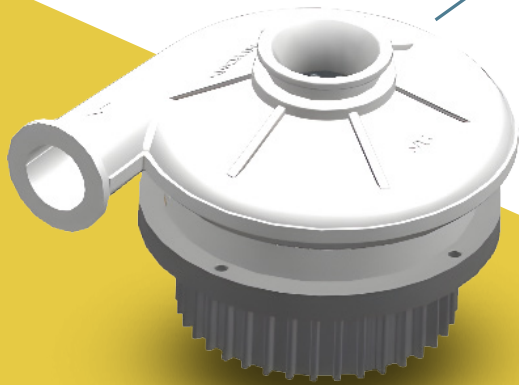


Product Feature

- Excellence performance with high static pressure and flow rate
- Low noise and vibration
- High reliability, with a long life of over 20,000 hours
- Compact design and motor driver integrated
- Work environmental : -20°C~50°C, ≤85%RH

No.	Product Model	Volt.	max.Static Pressure	max. Flow Rate		Work Point			Power		w/Hall?	
						Static Pressure		Flow Rate		Max.		Rated
						kPa	LPM	m ³ /h	kPa	LPM		m ³ /h
1	C8002-xxV-1	24 48	17.0	960	57.5	14.0	388	23.3	240	180	Y	
2	C8010-xxV-1	24 48	12.0	832	49.9	9.5	340	20.4	145	108	Y	
3	C8011-xxV-1	24	11.0	860	51.6	8.0	425	25.5	135	99	N	
4	C8012-xxV-1	12 24	11.0	807	48.4	9.1	310	18.6	130	96	Y	

C80-2 Micro Radial Blower

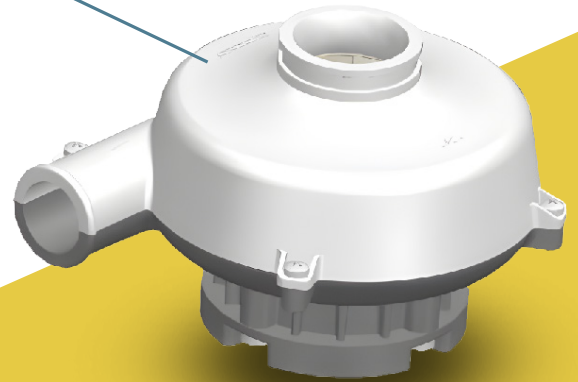
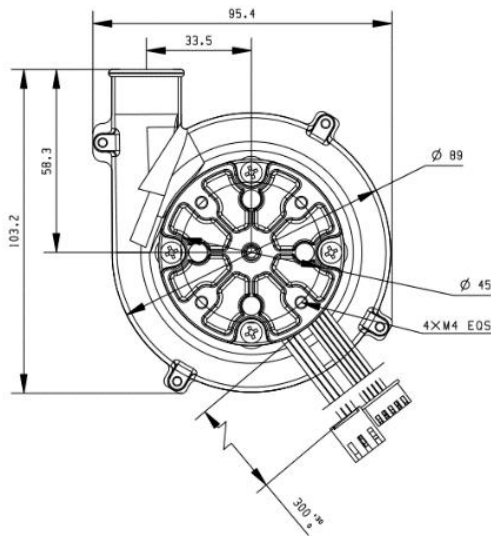
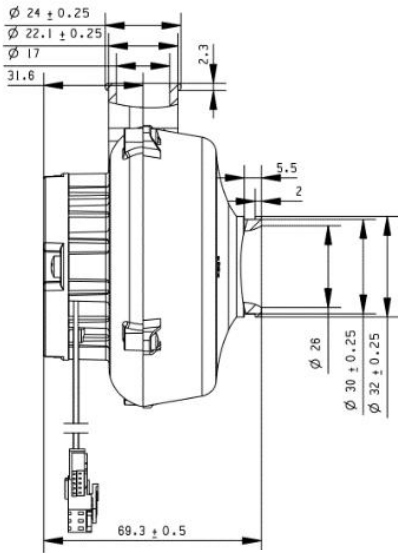


Product Feature

- Can be used in the environment with acid, alkali and corrosive gas
- Excellence performance with high static pressure and flow rate
- High reliability, with a long life of over 20,000 hours
- Compact design and motor driver integrated
- Work environmenta : -20°C~50°C, ≤95%RH

No.	Product Model	Volt.	max.Static Pressure	max. Flow Rate		Work Point			Power		w/Hall?	
						Static Pressure		Flow Rate		Max.		Rated
						V	kPa	LPM	m ³ /h	kPa		LPM
1	C8007-xxV-2	24	13.5	887	53.2	10.0	405	24.3	170	135	N	
2	C8008-xxV-2	24 48	13.5	887	53.2	10.0	405	24.3	170	135	Y	
3	C8012-xxV-2	12 24	11.0	807	48.4	9.1	310	18.6	130	96	Y	

C90 Micro Radial Blower



Product Feature

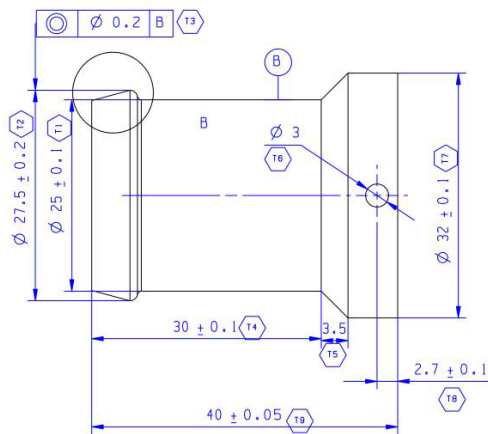
- Excellence performance with high static pressure and flow rate
- High reliability, with a long life of over 20,000 hours
- Compact design and motor driver integrated
- Work environmental : -20°C~50°C, \leq 85%RH

No.	Product Model	Volt.	max.Static Pressure	61.max. Flow Rate		Work Point			Power		w/Hall?	
						Static Pressure		Flow Rate		Max.		Rated
						V	kPa	LPM	m ³ /h	kPa		LPM
1	C9002U-xxV-1	24 48	12.0	1,190	71.4	8.0	500	30.0	190	145	Y	
2	C9002-xxV-1	24 48	10.5	1,160	69.6	7.4	502	30.1	175	135	Y	
3	C9003-xxV-1	24	8.5	1,070	64.2	6.7	398	23.9	135	95	N	
4	C9004-xxV-1	24 48	8.5	1,070	64.2	6.7	398	23.9	135	95	Y	
5	C9006-xxV-1	12 24	7.5	1,024	61.4	5.9	407	24.4	118	85	Y	

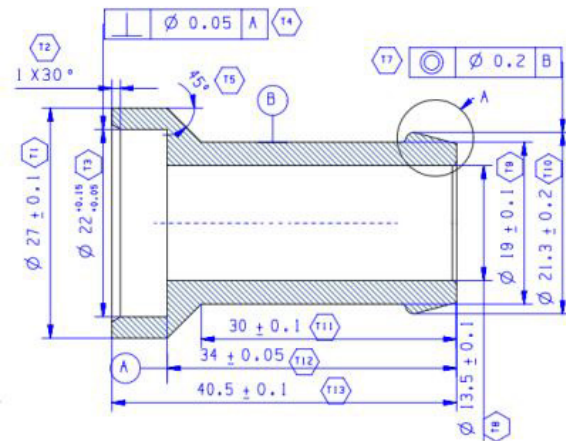
Blower Accessories

The Drawings of Inlet/Outlet Extension Pipes

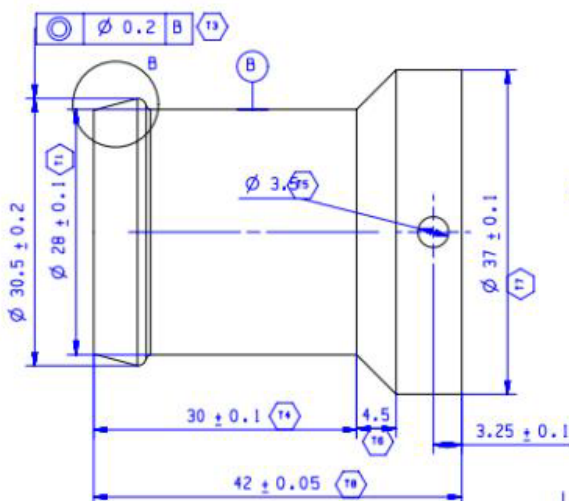
▪ Inlet Extension Pipe- C80 Series



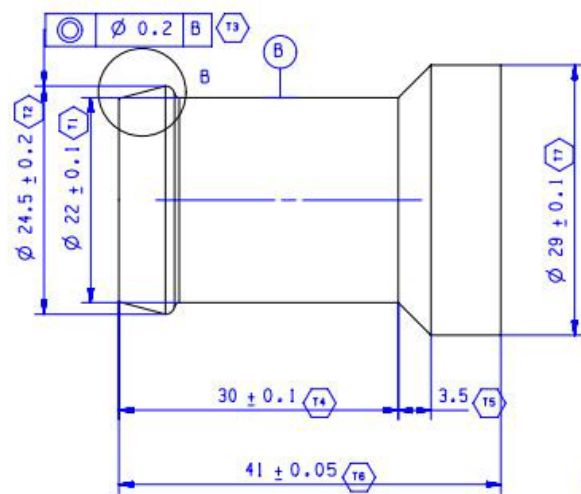
▪ Outlet Extension Pipe- C80 Series



▪ Inlet Extension Pipe- C90 Series



▪ Outlet Extension Pipe- C90 Series



Certificates

CE Certificates



ISO9001 CE Certificates QS



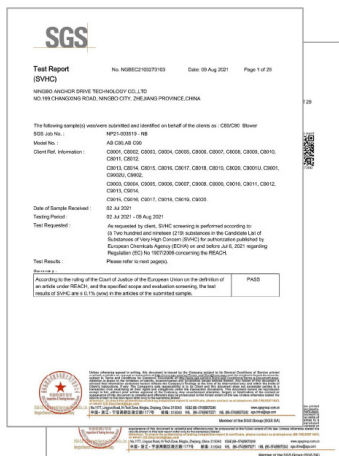
RoHS Certificates

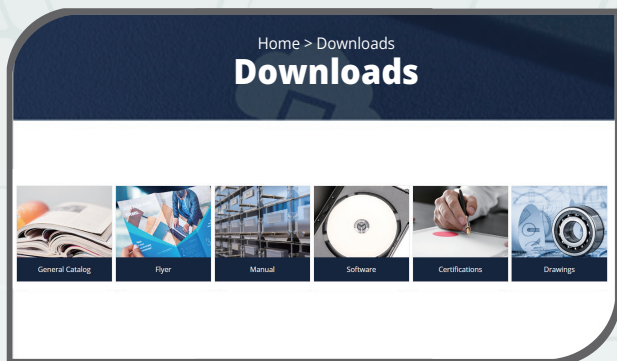
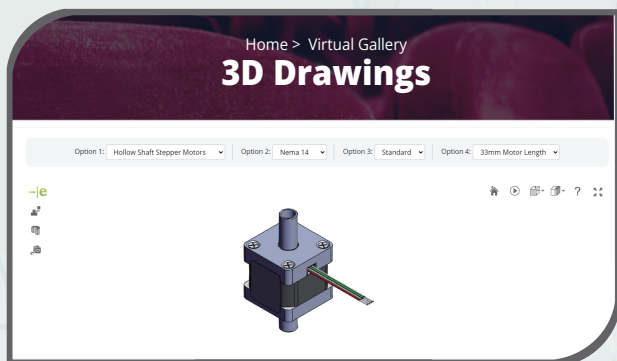
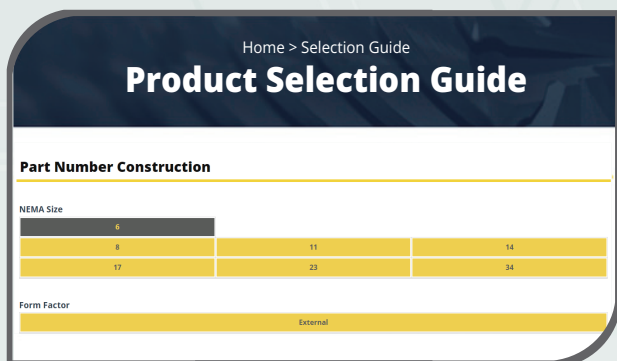
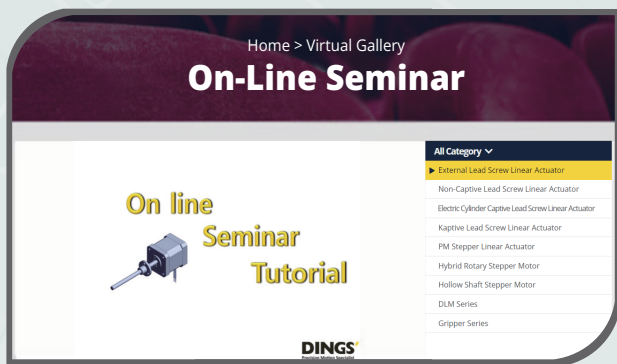


ISO 10993 Test Report



REACH Certificates





DINGS

Precision Motion Specialist

Headquarter , CHINA

Jiangsu DINGS' Intelligent Control Technology Co., LTD

Building 1#, 355 Longjin Road, Changzhou Economic Development Zone, Jiangsu, China

Phone : +86-519-85177825

Fax : +86-519-85177807

E-mail : info@dingsmotion.com

www.dingsmotion.com

Shenzhen Office

Room 1105, Block C, CIMC industry demonstration park, Qiaoming Road, Guangming district, Shenzhen City

E-mail : info@dingsmotion.com

International Office

DINGS' Motion USA

355 Cochrane Circle Morgan Hill, CA 95037

Phone : +1-408-612-4970

E-mail : sales@dingsmotionusa.com

www.dingsmotionusa.com

DINGS' KOREA Co., Ltd

C-702, 158, Haneulmaeul-ro, Ilsandong-gu, Goyang-si, Gyeonggi-do, Republic of Korea

Phone : +82-31-994-0755

Fax : +82-70-4325-0755

E-mail : daniel@dingsmotion.com

www.dingsmotion.kr

DINGS' JAPAN

101, 2-27-18, Nishi-kojiya, Ota-ku, Tokyo 144-0034 JAPAN

Phone : +81-90-7730-0034

E-mail : tsukahara@dingsmotion.com

www.dingsmotion.com

- This catalog is the sole property of DINGS' and without the written authorization of DINGS', any copy or forwarding is prohibited.
- DINGS' reserves the right to make changes without further notification to any products herein to improve the reliability, function or design.
- DINGS' reserves the final interpretation.