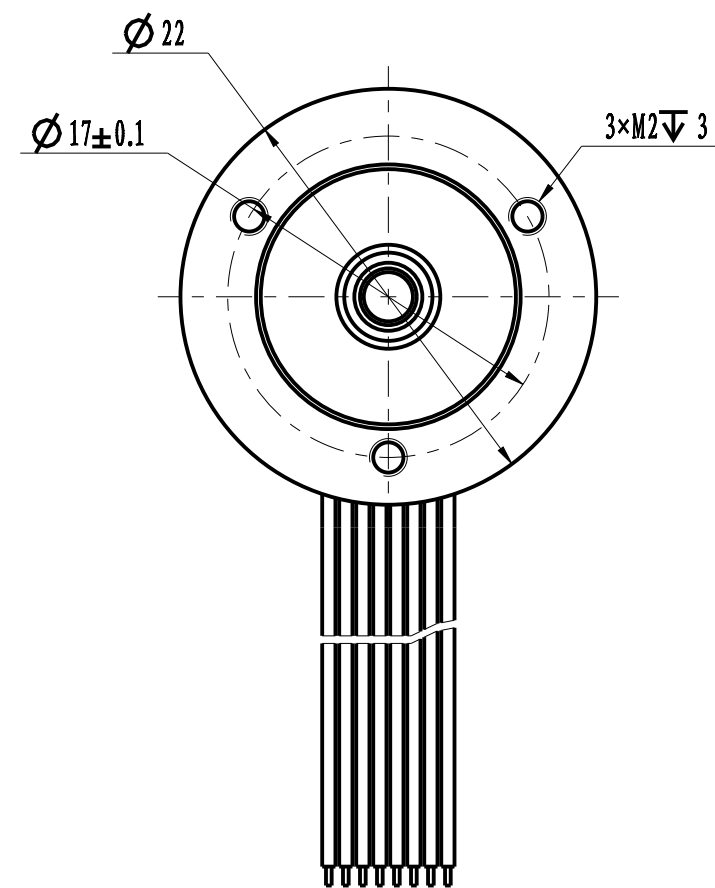
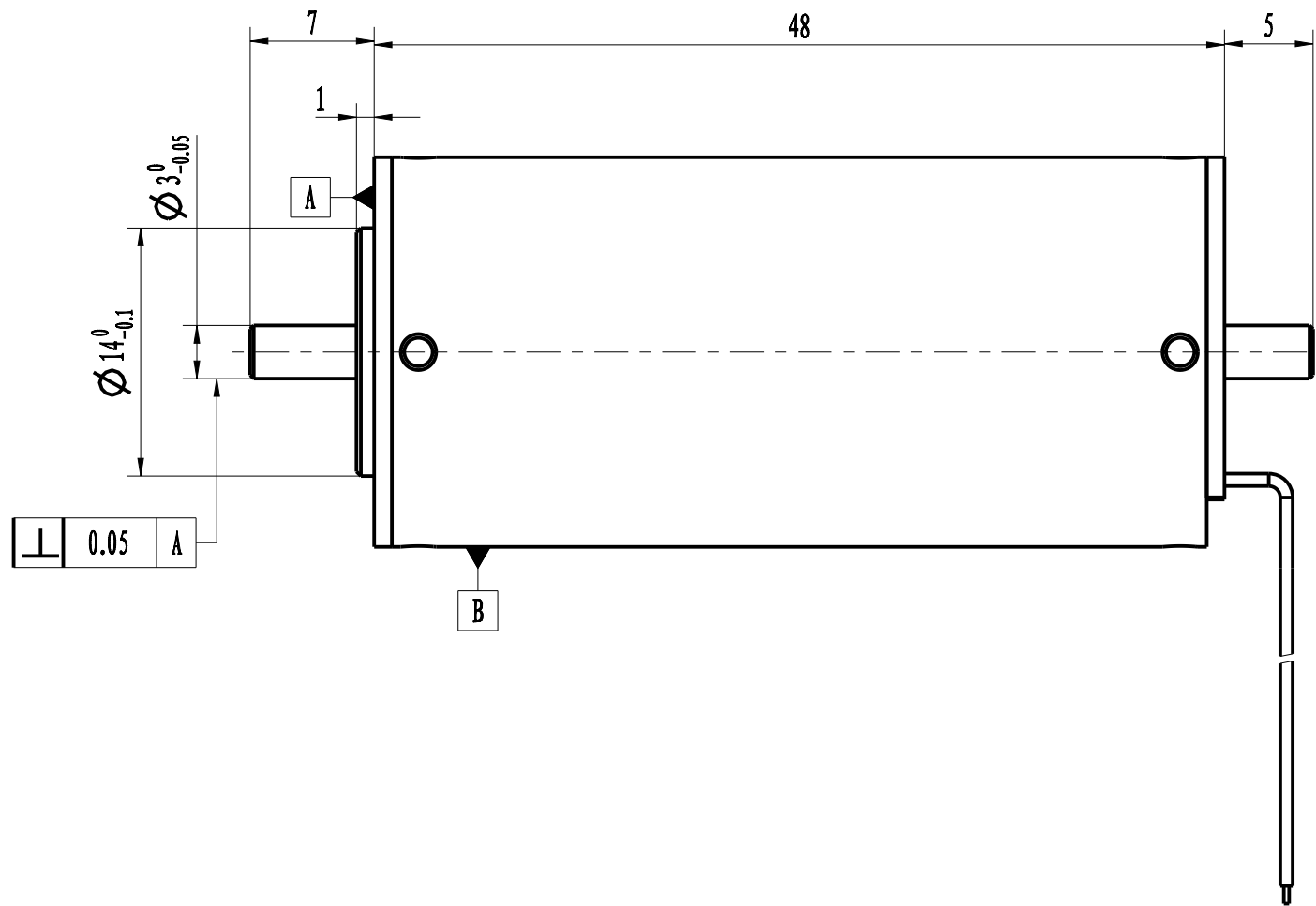


REVISION			
REV.	DATE	DESCRIPTION	DRAWN BY



REDUCTION RATIO	/	DIELECTRICAL STRENGTH	AC500V,1mA,1s
POLE RAIRS	1	INSULATION RESISTANCE	100MΩ/DC500V
RATED VOLTAGE(VDC)	24	DUTY TYPE	S1
RATED CURRENT(A)	5.5	PROTECTION GRADE	/
RATED SPEED(RPM)	49000	INSULATION CLASS	F
RATED TORQUE(mN·m)	20	COOLING TYPE	/
RATED POWER(W)	100	TORQUE CONSTANT(mN·m/A)	3.64
BACK EMF CONSTANT(V/KRPM)	0.38	ROTOR INERTIA(g·cm ²)	1.15

NOTICE TO PERSONS RECEIVING THIS DRAWING
 THIS DRAWING IS ONLY CONDITIONALLY ISSUED, AND FOR THE SOLE PURPOSE OF INFORMING LICENSEES AND ASSOCIATE CONTRACTORS OF DINGS' MOTION, AND VENDORS THERETO AND CUSTOMERS THEREOF, RECEIPT OR POCESSION THEREOF DOES NOT CONFER TO TRANSFER ANY RIGHT IN THE SUBJECT MATTER OF THE DRAWING. THE DESIGN, CONSTRUCTION, TECHNICAL INFORMATION AND ALL OTHER SUBJECT MATTER SHOWNIN THIS DRAWING ARE AND REMAIN, EXCEPT AS MAY BE OTHERWISE INDICATED BY WRITTEN NOTICE HEREON, THE EXCLUSIVE PROPERTY OF SAID CORPORATION. THIS DRAWING MAY BE REPRODUCED ONLY BY LICENSEES AND ASSOCIATE CONTRACTORS OF SAID CORPORATION AND ONLY FOR LICENSED MANUFACTURE, AND BY VENDORS MANUFACTURING FOR SAID CORPORATION AND ONLY FOR LICENSEES AND ASSOCIATECONTRACTORS.

CUSTOMER	Line color line sequence									
WIRING CHART	Wire gauge	Motor wire	Wire color	Wire gauge	Hall wire	Wire color				
	AWG 26	PHASE U	YE	AWG 26	+5 VDC	RD				
		PHASE V	GN		HALL U	GY	0~3	±0.2	0~10	±1.5°
		PHASE W	BN		HALL V	WH	3~6	±0.5	10~50	±1°
					HALL W	BU	6~30	±0.8	50~120	±30'
					GND	BK	30~120	±1.5	120~400	±15'

UNLESS OTHERWISE SPECIFIED ALL DIMENSIONS ARE IN MILLIMETERS AND TOLERANCES ARE AS BELOW

DRAWN	DATE	DINGS			
CHECK	DATE	SIZE	A3	SHEET	1/1
APPRVD	DATE	SCALE	1:1	REV	A
COUNTERSIGN	DATE				
MODEL					